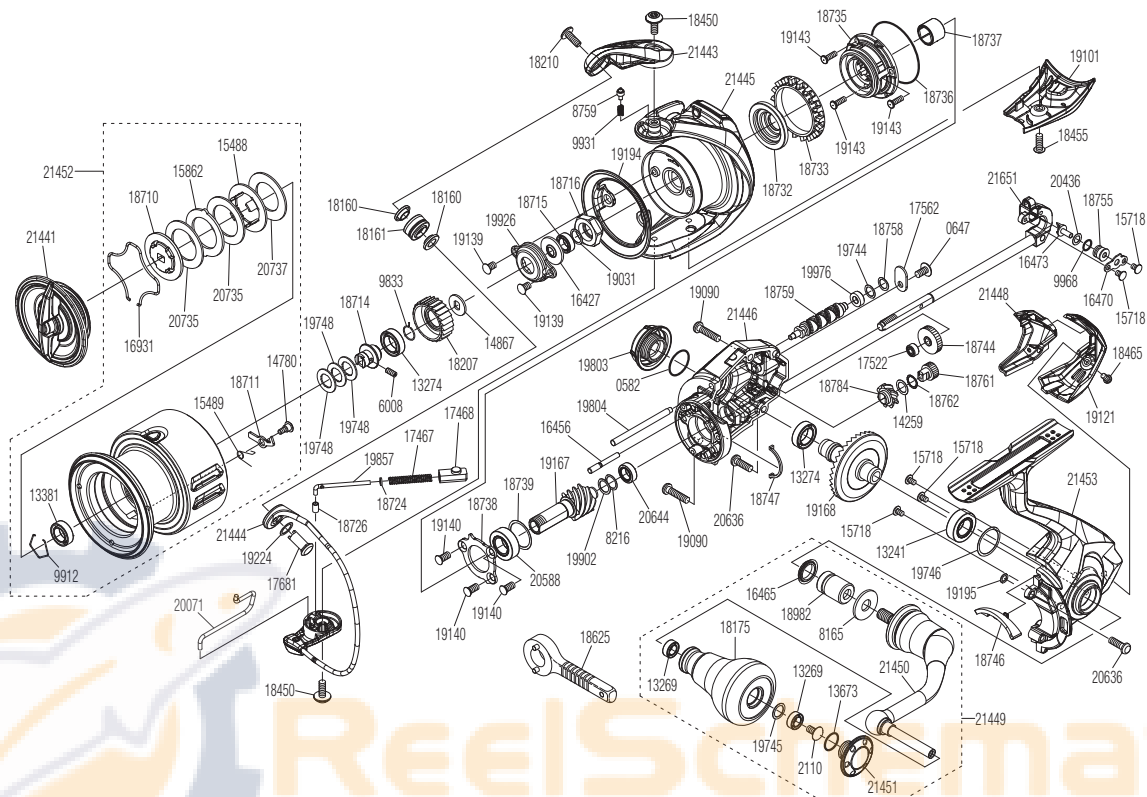


SHIMANO

TWIN POWER XD SA-RB

TPXD-C3000XG



Please note that the number of adjusting washers may not always be the same as shown in the exploded view.

(51SF47E037X)

Please note that your actions take full responsibility when you take it apart.

Part No.	Description	Part No.	Description	Part No.	Description
RD 0582	O Ring	RD18710	Key Washer B	RD19857	Bail Spring Guide
RD 0647	Screw	RD18711	Drag Click Screw	RD19902	Washer
RD 2110	Screw	RD18714	Spool Bearing Bushing	RD19926	Nut Lock Plate
RD 6008	Set Screw	RD18715	Main Shaft Spacer Assembly	RD19976	Bushing
RD 8165	Washer	RD18716	Rotor Nut	RD20071	Bail Trip Lever
RD 8216	Spacer	RD18724	Spring Guide A Support Collar	RD20436	Washer
RD 8759	Click Pin	RD18726	Bail Spring Guide A Bush	RD20588	Ball Bearing
RD 9833	Ratchet Spring	RD18732	Rotor Ring	RD20636	Screw
RD 9912	Bearing Retainer	RD18733	Friction Ring	RD20644	Ball Bearing
RD 9931	Click Spring	RD18735	Roller Clutch Assembly	RD20735	Drag Washer A
RD 9968	O Ring	RD18736	Roller Clutch Case Seal	RD20737	Drag Washer B
RD13241	Ball Bearing	RD18737	Roller Clutch Inner	RD21441	Drag Knob Assembly
RD13269	Ball Bearing	RD18738	Bearing Retainer	RD21443	Bail Arm
RD13274	Ball Bearing	RD18739	Washer	RD21444	Bail Assembly
RD13381	Ball Bearing	RD18744	Idle Gear	RD21445	Rotor Assembly
RD13673	O Ring	RD18746	Bail Trip Strike	RD21446	Body
RD14259	Washer	RD18747	Flange Water Proof	RD21448	Rear Shield
RD14780	Screw	RD18755	Oscillating Slider Bushing	RD21449	Handle Assembly
RD14867	Spool Support A	RD18758	Washer	RD21450	Handle Shank Assembly
RD15488	Key Washer A	RD18759	Worm Shaft	RD21451	Handle Knob Seal
RD15489	Drag Click Spring	RD18761	Idle Gear (Small)	RD21452	Spool Assembly
RD15718	Screw	RD18762	Washer	RD21453	Side Cover Assembly
RD15862	Eared Washer	RD18784	Idle Gear (Large)	RD21651	Main Shaft Assembly
RD16427	Bearing Water Proof	RD18982	Handle Shaft Cover B		
RD16456	Idle Gear Shaft	RD19031	Washer		
RD16465	Handle Shaft Seal	RD19090	Screw		
RD16470	Oscillating Pawl Cover	RD19101	Bail Hold Support Guard		
RD16473	Oscillating Pawl	RD19121	Rear Protector		
RD16931	Retainer	RD19139	Screw		
RD17467	Bail Spring	RD19140	Screw		
RD17468	Bail Spring Guide B	RD19143	Screw		
RD17522	Bushing	RD19167	Pinion Gear		
RD17562	Worm Shaft Retainer	RD19168	Drive Gear		
RD17681	Line Roller Support	RD19194	Rotor Brim		
RD18160	Collar	RD19195	Washer		
RD18161	Line Roller Set	RD19224	Washer		
RD18175	Handle Knob Assembly	RD19744	Washer		
RD18207	Drag Click Ratchet	RD19745	Washer		
RD18210	Screw	RD19746	Washer		
RD18450	Screw	RD19748	Washer		
RD18455	Screw	RD19803	Handle Screw Cap		
RD18465	Screw	RD19804	Oscillating Guide A	RD18625	Reel Wrench (accessory)